

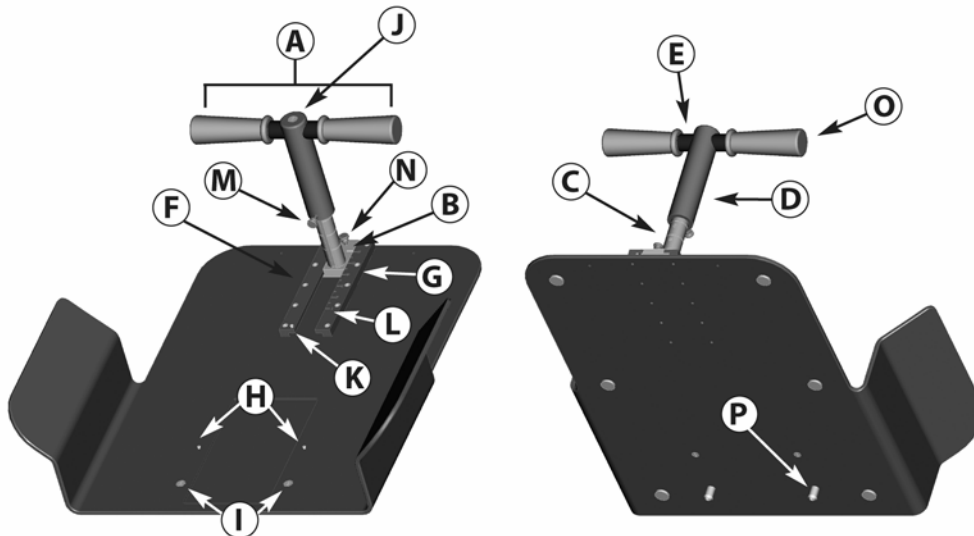
The Bionix Extended Butterfly Arm Board is intended to be used for the positioning and re-positioning of patients undergoing or receiving a course of external beam radiation therapy for the treatment of cancer and other diseases.

Caution: Federal law restricts this device to sale by or on the order of a licensed physician.

COMPONENTS

	Part Description	Quantity	Reorder Number
A.	Extended Butterfly Arm Board: T-Post Assembly	1	5527-20
B.	T-Handle Base	1	5527-21
C.	T-Handle Vertical Post	1	5527-22
D.	T-Handle Female Vertical Post	1	5527-23
E.	T-Handle Horizontal Post	1	5527-24
F.	T-Handle Rail	1	5527-25
G.	T-Handle Rail Engraved	1	5527-26
H.	Slotted Flat Head Screw	2	RM35-0210
I.	Flat Head Screw	2	RM35-0240
J.	Flat Head Screw	2	RM35-0245
K.	Socket Head Cap Screw	2	RM35-0301
L.	Socket Head Cap Screw	10	RM35-0325
M.	Knurled Thumbscrew	1	RM35-0500
N.	Knurled Thumbscrew	1	RM35-0501
O.	Vinyl Grips	2	RM60-0070
P.	Attachment Pegs	2	RM60-0310

ASSEMBLY DIAGRAM



OPERATING INSTRUCTIONS

Note: The Silverman Head Cups must be punched to be used with the Locating Screws

1. Position the Extended Butterfly Arm Board on the treatment table using the desired SecureBar Hole spacing, labeled A1, B1, A2 & B2.
2. Position Timo or Punched Silverman head cup on Extended Butterfly Arm Board.
3. Position the patient on the Extended Butterfly Arm Board.
4. Position handle to the desired height and distance.
5. **(Optional): For attaching to a Bionix Breast Board:** Remove the 2 attachment pegs (P) from the plastic pouch. Remove the screws from the pegs and place each peg into each of the larger holes located on the Extended Butterfly Arm Board. The attachment pegs should be attached from the underside of the board (see diagram). Secure the pegs to the Extended Butterfly Board by attaching the screws that accompany the pegs. By adding these attachment pegs to the Extended Butterfly Arm Board, you can attach the Extended Butterfly Arm Board to any Bionix Breast Board.

Warning: If you plan on using a SecureVac cushion with the Extended Butterfly Arm Board, it is recommended that you first remove the two locating screws (located near the center of the Extended Butterfly Arm Board) so they do not puncture the SecureVac cushion.

CLEANING INSTRUCTIONS

To clean, wipe thoroughly with water based antiseptic cleaner or foam. Allow to dry before next patient use.

Notice: Do not use alcohol based cleaners on this product.

WARRANTY

The Bionix Extended Butterfly Arm Board is warranted to be free from defects in workmanship and materials, under normal use, for a period of 3 years from the date of original purchase from Bionix. Bionix' sole obligation under this warranty shall be, at Bionix' option, to replace the product or part with a comparable product or part, repair the product or part, or if neither repair nor replacement is reasonably available, Bionix may, in its sole discretion, refund to the customer the purchase price paid for the product or part.

Bionix Radiation Therapy
5154 Enterprise Blvd.
Toledo, OH 43612
Toll Free: 800-624-6649
Fax: 800-455-5678
www.BionixRT.com